

RJR POLYMERS, INC

7875 EDGEWATER DR., OAKLAND, CA. 94621
 THIS DRAWING CONTAINS INFORMATION THAT IS CONFIDENTIAL AND PROPRIETARY PROPERTY OF R.J.R. POLYMERS, INC., AND ITS DESIGN, DETAIL AND INVENTION, ARE THE PROPERTY OF R.J.R. POLYMERS, INC., SUBMITTED TO THE RECIPIENT IN CONFIDENCE AND SHALL NOT BE COPIED IN ANY MANNER NOR DISCLOSED TO ANY OUTSIDE PARTY WITHOUT THE EXPRESS WRITTEN CONSENT OF AN AUTHORIZED OFFICER OF THIS COMPANY. THEY SHALL BE USED EXCLUSIVELY FOR REFERENCE WORK ON CONTRACTS OR PROPOSALS SUBMITTED BY R.J.R. POLYMERS, INC. AND SHALL BE RETURNED ON REQUEST. THIS DRAWING MUST BE KEPT ONLY IN THE CONFIDENTIAL FILES OF R.J.R. POLYMERS, INC., WHEN NOT IN USE. ALL RIGHTS RESERVED.

TOLERANCE UNLESS OTHERWISE SPECIFIED:

DECIMALS: X.X = ±0.02
 DECIMALS: X.XX = ±.10mm
 DECIMALS: X.XXX = ±.05mm
 // + .031" PER 1"
 < ±1"
 □ 0.003" PER 1"
 DRAFT < 5° MAX.
 RADII: 0.015" MAX

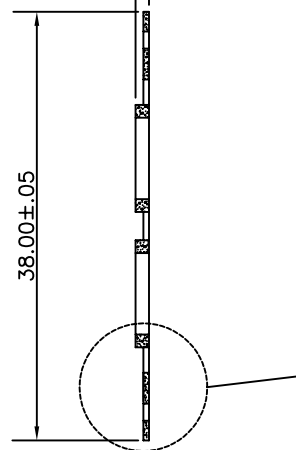
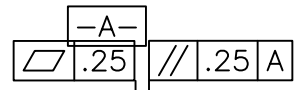
DIMENSIONS ARE IN MILLIMETERS

CAD FILE :
 Q:\DRAWINGS\...\4563C.DWG

PLCC32 RING FRAME, BLACK PLASTIC
 (14 SITES)

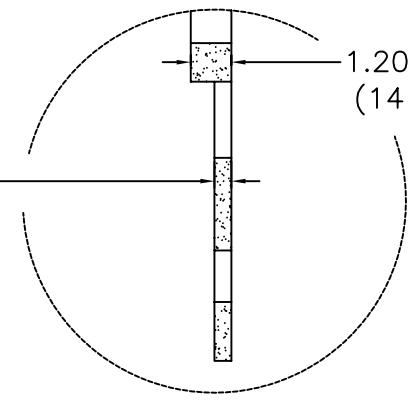
CLIENT	DATE 3-13-01	SCALE NTS	DRAWN BY BLYTH	DWG SIZE A	PART/DWG # 4563	REV C	1 2
--------	-----------------	--------------	-------------------	---------------	--------------------	----------	--------

REVISIONS			
REV	BY	DESCRIPTION	DATE
A	CAN L.	RELEASED TO ACTIVE PER ECO 1903	7-10-00
B	CAN L.	ADD DETAIL B, PER CUSTOMER REQUEST	9-25-00
C	BLYTH	REVISED PER ECO 4563C	3-13-01

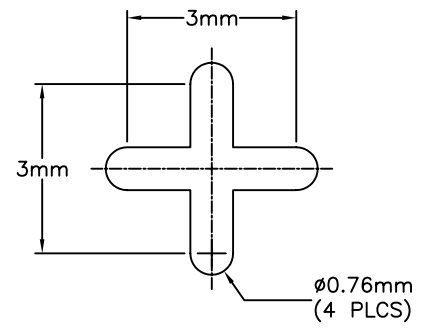


SECTION D-D

0.50 ± 0.05
(TYP)

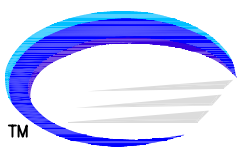


DETAIL C



DETAIL B

APPROVAL SIGNATURES	DATE
Configuration Control	
Purchasing	
Quality Assurance	



RJR POLYMERS, INC

7875 EDGEWATER DR., OAKLAND, CA. 94621
 THIS DRAWING CONTAINS INFORMATION THAT IS CONFIDENTIAL AND PROPRIETARY PROPERTY OF R.J.R. POLYMERS, INC., AND ITS DESIGN, DETAIL AND INVENTION, ARE THE PROPERTY OF R.J.R. POLYMERS, INC., SUBMITTED TO THE RECIPIENT IN CONFIDENCE AND SHALL NOT BE COPIED IN ANY MANNER NOR DISCLOSED TO ANY OUTSIDE PARTY WITHOUT THE EXPRESS WRITTEN CONSENT OF AN AUTHORIZED OFFICER OF THIS COMPANY. THEY SHALL BE USED EXCLUSIVELY FOR REFERENCE WORK ON CONTRACTS OR PROPOSALS SUBMITTED BY R.J.R. POLYMERS, INC. AND SHALL BE RETURNED ON REQUEST. THIS DRAWING MUST BE KEPT ONLY IN THE CONFIDENTIAL FILES OF R.J.R. POLYMERS, INC., WHEN NOT IN USE. ALL RIGHTS RESERVED.

TOLERANCE UNLESS OTHERWISE SPECIFIED:

DECIMALS: X.X = ±0.02
 DECIMALS: X.XX = ±.10mm
 DECIMALS: X.XXX = ±.05mm
 // + .031" PER 1' ≤ ±1'
 ◻ 0.003" PER 1"
 DRAFT ≤ 5° MAX.
 RADII: 0.015" MAX

DIMENSIONS ARE IN MILLIMETERS

CAD FILE :
 Q: \DRAWINGS\... \4563C.DWG

PLCC32 RING FRAME, BLACK PLASTIC
 (14 SITES)

CLIENT	DATE	SCALE	DRAWN BY	DWG SIZE	PART/DWG #	REV	2
	3-13-01	NTS	BLYTH	A	4563	C	2